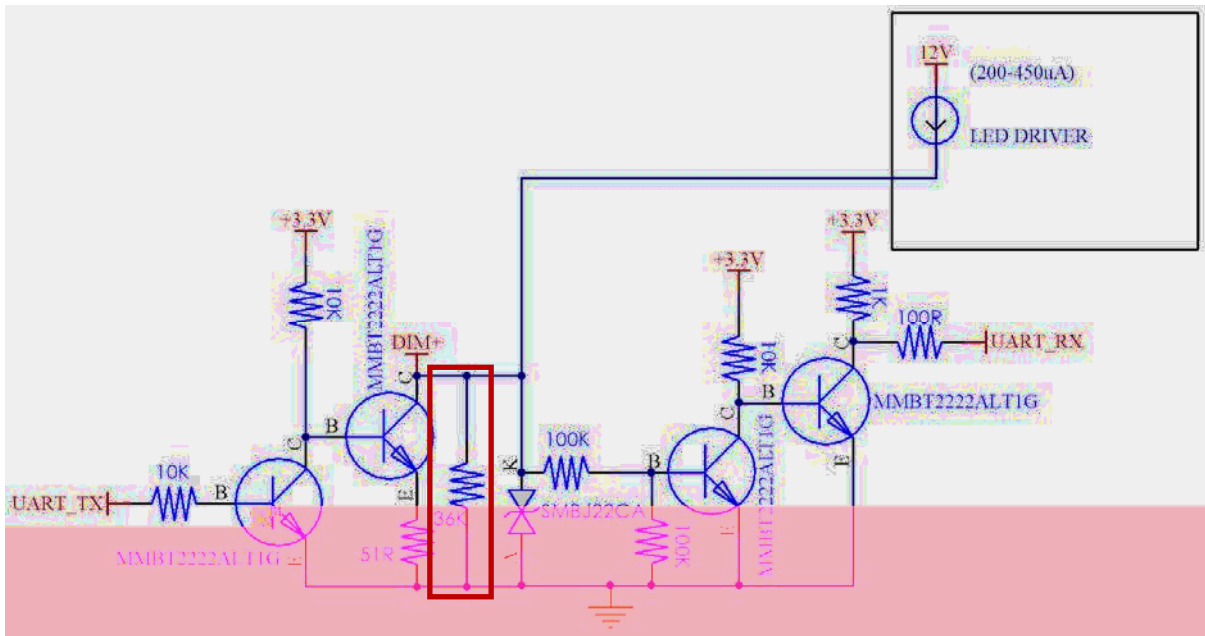
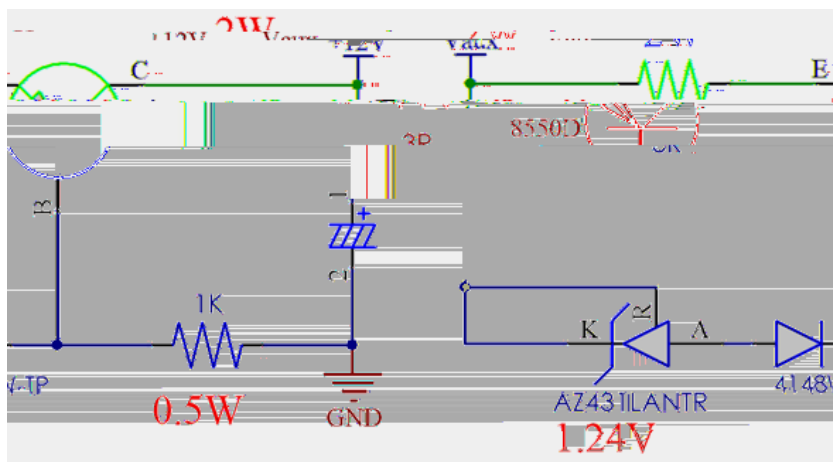


- UART
- UART TX RX
- Dim+ 200-450uA 12V
- DIM + GND 36k



- NB-IOT GPRS 4G , 400mA.



- UART
- 1 8 1
- 9600
- 60ms 100ms

- 2
- = + + +

-
-
-
-
-
-
-
- AD 1
-
- NTC AD 2
-
-
-
-
-
-

UART

100ms

2

2

= + + +

| | | | | | | | | | |
|------|------|-----------|------|-----------|------|------|------|--|----|
| | | | | | | | | | |
| 0x3A | 0x31 | 0x00 | 0x01 | 0x00-0x64 | 0x0D | 0x0A | | | |
| | 0x32 | 0x00 | 0x01 | 0x55, | | | | | |
| | 0x3A | 0x00 | 0x01 | 0x02 | | | | | |
| | | 0x01 | 0x01 | 0x02 | | | | | |
| | | 0x03 | 0x01 | 0x01 | | | | | AD |
| | | 0x04 | 0x01 | 0x01 | | | | | AD |
| | 0x3B | 0x00/0x01 | 0x02 | 2 | | | | | / |
| | 0x3C | 0x00 | 0x01 | 0x00-0xC8 | | | | | |
| | 0x3D | 0x00 | 0x01 | 0x55, | | | | | |
| | 0x35 | 0x0B | 0x01 | 0x05 | | | 0x46 | | |
| | 0x36 | 0x0B | 0x05 | 5 | | | | | |
| | 0x35 | 0x20 | 0x01 | 0x01 | | | 0x57 | | |
| 0x36 | 0x20 | 0x01 | 1 | | | | | | |

• **0x31 -**

LED

()

EEPROM

0x3C

70% (70= 0x46)

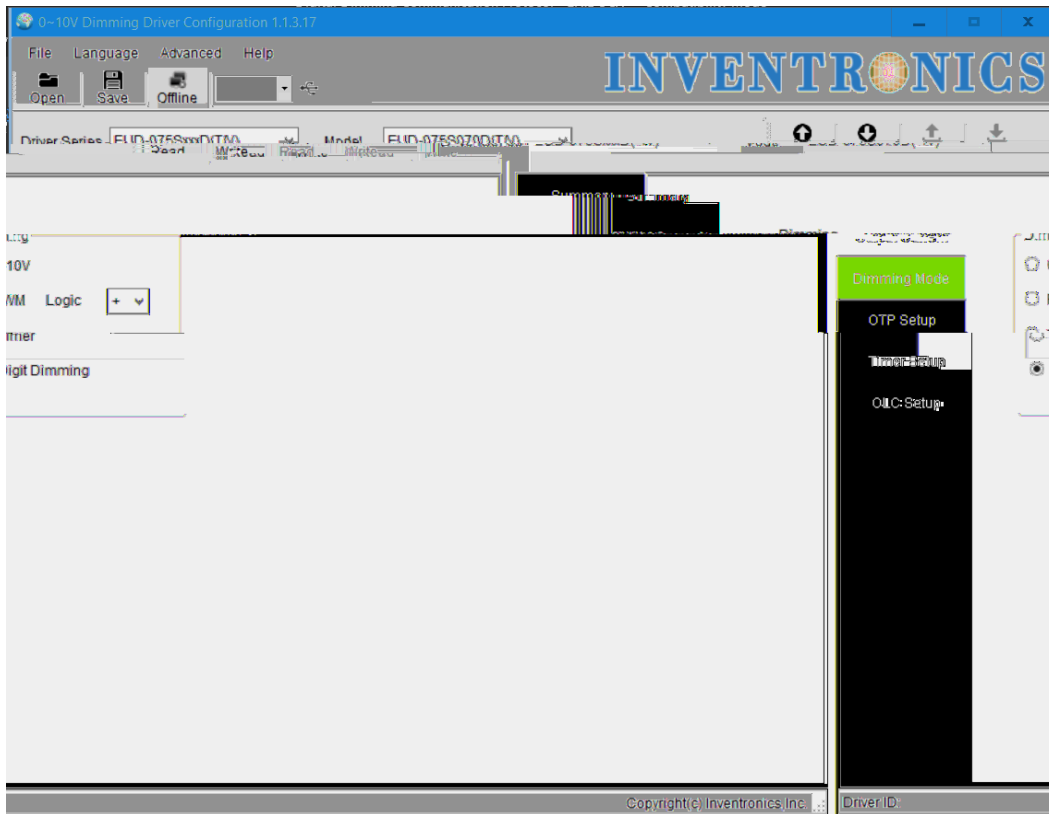
| | | | | | | | |
|------|------|------|------|------|------|------|------|
| | | | | | | | |
| 0x3A | 0x31 | 0x00 | 0x01 | 0x46 | 0x78 | 0x0D | 0x0A |

| | |
|------------------|------|
| | |
| EUD - 200SxxxDxA | 1743 |
| EUD - 240SxxxDxA | 1803 |
| ESD - 480SxxxDx | / |

YYWW

PRG-MUL2

" "



OTP: AD

| AD | | AD | | AD | | AD | | AD | | AD | |
|----|-----|----|----|-----|----|-----|----|-----|----|-----|-----|
| 15 | 125 | 55 | 76 | 95 | 54 | 135 | 38 | 175 | 23 | 215 | 4 |
| 16 | 123 | 56 | 75 | 96 | 54 | 136 | 38 | 176 | 22 | 216 | 4 |
| 17 | 121 | 57 | 74 | 97 | 53 | 137 | 37 | 177 | 22 | 217 | 3 |
| 18 | 118 | 58 | 74 | 98 | 53 | 138 | 37 | 178 | 22 | 218 | 2 |
| 19 | 116 | 59 | 73 | 99 | 52 | 139 | 37 | 179 | 21 | 219 | 2 |
| 20 | 114 | 60 | 72 | 100 | 52 | 140 | 36 | 180 | 21 | 220 | 1 |
| 21 | 112 | 61 | 72 | 101 | 52 | 141 | 36 | 181 | 20 | 221 | 0 |
| 22 | 111 | 62 | 71 | 102 | 51 | 142 | 36 | 182 | 20 | 222 | 0 |
| 23 | 109 | 63 | 71 | 103 | 51 | 143 | 35 | 183 | 20 | 223 | -1 |
| 24 | 107 | 64 | 70 | 104 | 50 | 144 | 35 | 184 | 19 | 224 | -2 |
| 25 | 105 | 65 | 69 | 105 | 50 | 145 | 34 | 185 | 19 | 225 | -2 |
| 26 | 104 | 66 | 69 | 106 | 50 | 146 | 34 | 186 | 18 | 226 | -3 |
| 27 | 103 | 67 | 68 | 107 | 49 | 147 | 34 | 187 | 18 | 227 | -4 |
| 28 | 101 | 68 | 68 | 108 | 49 | 148 | 33 | 188 | 17 | 228 | -5 |
| 29 | 100 | 69 | 67 | 109 | 48 | 149 | 33 | 189 | 17 | 229 | -5 |
| 30 | 98 | 70 | 66 | 110 | 48 | 150 | 33 | 190 | 17 | 230 | -6 |
| 31 | 97 | 71 | 66 | 111 | 47 | 151 | 32 | 191 | 16 | 231 | -7 |
| 32 | 96 | 72 | 65 | 112 | 47 | 152 | 32 | 192 | 16 | 232 | -8 |
| 33 | 95 | 73 | 65 | 113 | 47 | 153 | 31 | 193 | 15 | 233 | -9 |
| 34 | 94 | 74 | 64 | 114 | 46 | 154 | 31 | 194 | 15 | 234 | -10 |
| 35 | 93 | 75 | 64 | 115 | 46 | 155 | 31 | 195 | 14 | 235 | -11 |
| 36 | 91 | 76 | 63 | 116 | 45 | 156 | 30 | 196 | 14 | 236 | -12 |
| 37 | 90 | 77 | 63 | 117 | 45 | 157 | 30 | 197 | 13 | 237 | -13 |
| 38 | 89 | 78 | 62 | 118 | 45 | 158 | 29 | 198 | 13 | 238 | -14 |
| 39 | 88 | 79 | 62 | 119 | 44 | 159 | 29 | 199 | 13 | 239 | -15 |
| 40 | 88 | 80 | 61 | 120 | 44 | 160 | 29 | 200 | 12 | 240 | -16 |
| 41 | 87 | 81 | 61 | 121 | 44 | 161 | 28 | 201 | 12 | 241 | -17 |
| 42 | 86 | 82 | 60 | 122 | 43 | 162 | 28 | 202 | 11 | 242 | -18 |
| 43 | 85 | 83 | 60 | 123 | 43 | 163 | 28 | 203 | 11 | 243 | -20 |
| 44 | 84 | 84 | 59 | 124 | 42 | 164 | 27 | 204 | 10 | 244 | -21 |
| 45 | 83 | 85 | 59 | 125 | 42 | 165 | 27 | 205 | 10 | 245 | -23 |
| 46 | 82 | 86 | 58 | 126 | 42 | 166 | 26 | 206 | 9 | 246 | -25 |
| 47 | 82 | 87 | 58 | 127 | 41 | 167 | 26 | 207 | 9 | 247 | -27 |
| 48 | 81 | 88 | 57 | 128 | 41 | 168 | 26 | 208 | 8 | 248 | -29 |
| 49 | 80 | 89 | 57 | 129 | 40 | 169 | 25 | 209 | 7 | 249 | -31 |
| 50 | 79 | 90 | 56 | 130 | 40 | 170 | 25 | 210 | 7 | 250 | -34 |
| 51 | 78 | 91 | 56 | 131 | 40 | 171 | 24 | 211 | 6 | 251 | -38 |
| 52 | 78 | 92 | 56 | 132 | 39 | 172 | 24 | 212 | 6 | 252 | -40 |
| 53 | 77 | 93 | 55 | 133 | 39 | 173 | 24 | 213 | 5 | | |
| 54 | 76 | 94 | 55 | 134 | 39 | 174 | 23 | 214 | 5 | | |

OTP: AD

OTP

10K

| AD | | AD | | AD | | AD | | AD | | AD | |
|----|-----|----|------|-----|------|-----|------|-----|-------|-----|--------|
| 1 | 20 | 46 | 1122 | 91 | 2830 | 136 | 5829 | 181 | 12474 | 226 | 39745 |
| 2 | 40 | 47 | 1152 | 92 | 2879 | 137 | 5921 | 182 | 12715 | 227 | 41346 |
| 3 | 61 | 48 | 1183 | 93 | 2928 | 138 | 6015 | 183 | 12963 | 228 | 43067 |
| 4 | 81 | 49 | 1213 | 94 | 2978 | 139 | 6111 | 184 | 13217 | 229 | 44919 |
| 5 | 102 | 50 | 1244 | 95 | 3028 | 140 | 6209 | 185 | 13479 | 230 | 46920 |
| 6 | 123 | 51 | 1275 | 96 | 3079 | 141 | 6308 | 186 | 13748 | 231 | 49088 |
| 7 | 144 | 52 | 1306 | 97 | 3131 | 142 | 6409 | 187 | 14025 | 232 | 51443 |
| 8 | 165 | 53 | 1338 | 98 | 3183 | 143 | 6512 | 188 | 14310 | 233 | 54014 |
| 9 | 187 | 54 | 1370 | 99 | 3237 | 144 | 6616 | 189 | 14605 | 234 | 56829 |
| 10 | 208 | 55 | 1403 | 100 | 3290 | 145 | 6723 | 190 | 14908 | 235 | 59925 |
| 11 | 230 | 56 | 1435 | 101 | 3345 | 146 | 6831 | 191 | 15220 | 236 | 63347 |
| 12 | 252 | 57 | 1468 | 102 | 3400 | 147 | 6942 | 192 | 15543 | 237 | 67150 |
| 13 | 274 | 58 | 1502 | 103 | 3456 | 148 | 7054 | 193 | 15876 | 238 | 71400 |
| 14 | 296 | 59 | 1535 | 104 | 3513 | 149 | 7169 | 194 | 16220 | 239 | 76181 |
| 15 | 319 | 60 | 1569 | 105 | 3570 | 150 | 7286 | 195 | 16575 | 240 | 81600 |
| 16 | 341 | 61 | 1604 | 106 | 3628 | 151 | 7405 | 196 | 16942 | 241 | 87793 |
| 17 | 364 | 62 | 1638 | 107 | 3687 | 152 | 7526 | 197 | 17322 | 242 | 94938 |
| 18 | 387 | 63 | 1673 | 108 | 3747 | 153 | 7650 | 198 | 17716 | 243 | 103275 |
| 19 | 411 | 64 | 1709 | 109 | 3808 | 154 | 7776 | 199 | 18123 | 244 | 113127 |
| 20 | 434 | 65 | 1745 | 110 | 3869 | 155 | 7905 | 200 | 18545 | 245 | 124950 |
| 21 | 458 | 66 | 1781 | 111 | 3931 | 156 | 8036 | 201 | 18983 | 246 | 139400 |

| AD | | AD | | AD | | AD | | AD | | AD | |
|----|------|----|------|-----|------|-----|-------|-----|-------|----|--|
| 41 | 977 | 86 | 2595 | 131 | 5388 | 176 | 11362 | 221 | 33150 | | |
| 42 | 1006 | 87 | 2641 | 132 | 5473 | 177 | 11573 | 222 | 34309 | | |
| 43 | 1034 | 88 | 2687 | 133 | 5560 | 178 | 11790 | 223 | 35541 | | |
| 44 | 1064 | 89 | 2734 | 134 | 5648 | 179 | 12012 | 224 | 36852 | | |
| 45 | 1093 | 90 | 2782 | 135 | 5738 | 180 | 12240 | 225 | 38250 | | |

LED

| 2018-12-20 | A | | / | / |
|------------|---|---|------------------|---|
| 2019-01-31 | B | | / | |
| 2019-04-08 | C | - | / | |
| | | | | |
| | | | / | |
| 2019-05-22 | D | | ESD - 480SxxxD x | |