

- 90%
- 0.99
- 
- 4kV, 6kV
- IP67
- 
- class 2 SELV
- 5



EUV-096xxxST

96W IP67

90-305Vac

				1			
					120Vac	220Vac	
24 V	90 ~ 305 Vac	0~4.00 A	96 W	88.0%	0.99	0.96	EUV-096S024ST <sup>(2)(4)(6)</sup>
36 V	90 ~ 305 Vac	0~2.66 A	96 W	88.0%	0.99	0.96	EUV-096S036ST <sup>(2)(5)(6)</sup>
48 V	90 ~ 305 Vac	0~2.00 A	96 W	88.0%	0.99	0.96	EUV-096S048ST <sup>(3)(6)</sup>
54 V	90 ~ 305 Vac	0~1.77 A	96 W	90.0%	0.99	0.96	EUV-096S054ST <sup>(3)(6)</sup>

1 220Vac, 25 100%

2 Class 2 &

3 Class 2 ( ) Class 2

4 Class 2 &

5 Class 2

6 SELV

AC	90 Vac	-	305 Vac
----	--------	---	---------

	47Hz	-	63 Hz	
	-	-	1 mA	277Vac/ 60Hz
	-	-	1.2 A	100% 100Vac
	-	-	0.6 A	100% 220Vac
	-	-	69 A	220Vac 25 10%-10%
I <sup>2</sup> t	-	-	2.8 A <sup>2</sup> s	= 2mS
	0.90	-	-	100-277Vac, 50-60Hz, 75%-100%
	-	-	20%	(72W-96W)

	-5%	-	5%	
	-	-	3% V <sub>o</sub>	: 20MHz 0.1uF 10uF
	-	-	± 1%	/
	-	-	± 2%	/
	-	1.0 s	2.0 s	120Vac 75% ~ 100%
	-	1.0 s	2.0 s	220Vac 75% ~ 100%
/	-	-	10%	
	-	-	5% V <sub>o</sub>	/ 1 A/uS
	-	-	10 mS	: 25% ~ 75%
	-	0.03%/	-	=0°C ~ Tc

V <sub>o</sub> = 24 V	-	30 V	35 V	
V <sub>o</sub> = 36 V	-	45 V	50 V	
V <sub>o</sub> = 48 V	-	55 V	60 V	
V <sub>o</sub> = 54 V	-	65 V	75 V	
	100% I <sub>o</sub>		110% I <sub>o</sub>	
-	-	110 °C	-	


--	--	--	--	--

@120 Vac

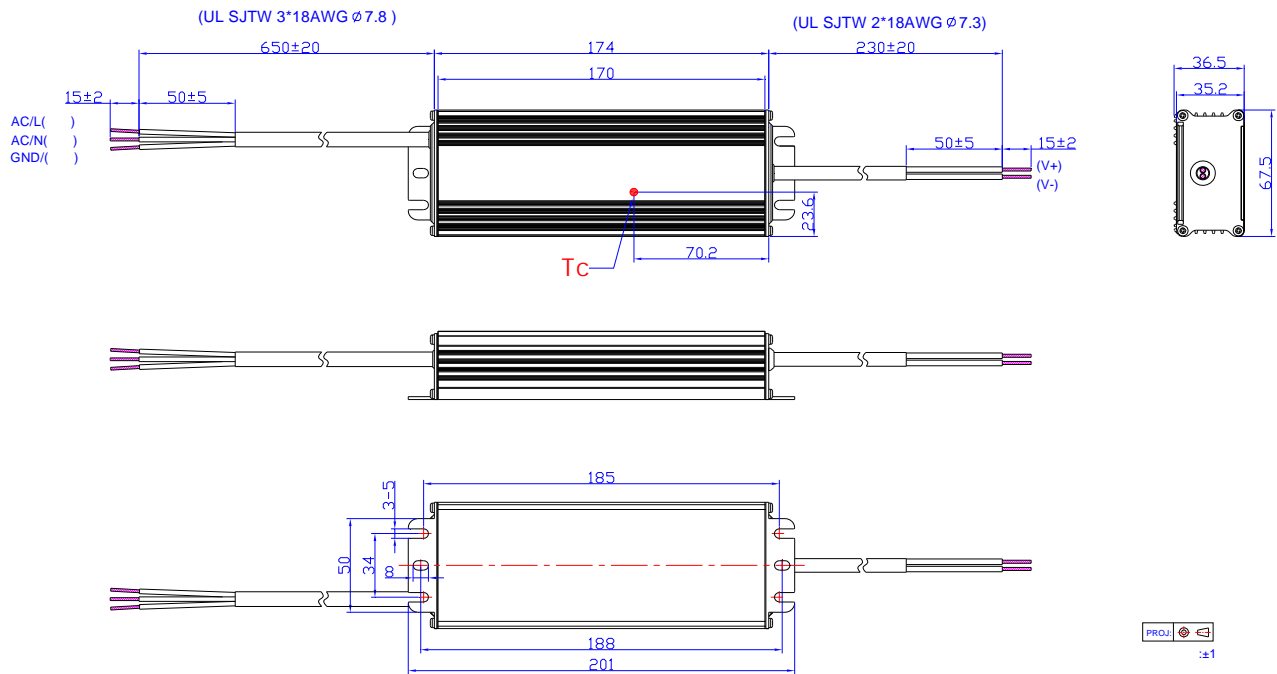
$V_o = 24\text{ V}$

$V_o = 36\text{ V}$

$V_o = 48\text{ V}$

$V_o = 54\text{ V}$

<b>EMI</b>	
FCC Part 15 <sup>(1)</sup>	ANSI C63.4 Class B
	This device complies with Part 15 of the FCC Rules. Operation is subject to the following two conditions: [1] this device may not cause harmful interference, and [2] this device must accept any nterference received, including interference that may cause undesired Operation.
<b>EMS</b>	
EN 61000-4-2	Electrostatic Discharge (ESD): 15 kV air discharge, 8 kV contact discharge
EN 61000-4-3	Radio-Frequency Electromagnetic Field Susceptibility Test-RS
EN 61000-4-4	Electrical Fast Transient / Burst-EFT
EN 61000-4-5	Surge Immunity Test: AC Power Line: Differential Mode 4 kV, Common Mode 6 kV
EN 61000-4-6	Conducted Radio Frequency Disturbances Test-CS



## RoHS

RoHS 2011/65/EU

EU 2015/863

2012-01-12	A		/	/		
2012-5-17	B	-	/	1%		
2012-06-08	C		/	/		
			/			
2012-7-12	D		/			
		EN 61000-4-5	AC Power Line: line to line 2 kV, line to earth 4 kV	AC Power Line: line to line 4 kV, line to earth 6 kV		
2012-7-12	F					
2012-8-6	G	SELV	/			
			140 μs	2 mS		
		/	/			
2012-10-17	H	MTBF	/			
			/			
		PF THD	/			
2013-01-10	I		1s	3s	1s	2s
			0.8s	2s	1s	2s
2018-10-26	J		/			
			/			
			/			
			/			
			0.03%/	0.03%/		
			/			
				850g	925g	
		/				

2018-10-26	J		/	
			/	
2019-09-20	K	KS	/	
		( / )	(72W-96W)	
			KS	
			EN 61000-4-5	
			/	
		RoHS	/	
2021-09-29	L			
			@ 120 Vac	
			@ 220 Vac	