

- 347 Vac maximum working input voltage
-

The PY-20KS10KTTN is designed to be used in conjunction with LED Drivers to provide an additional level of surge and transient protection.

347 Vac	10 kA	15 kA	2000 V	N	N	/	PY-20KS10KTTN	UL
/	/	/	/	/	/	/	BRU-20KS10KT	(none – bracket)

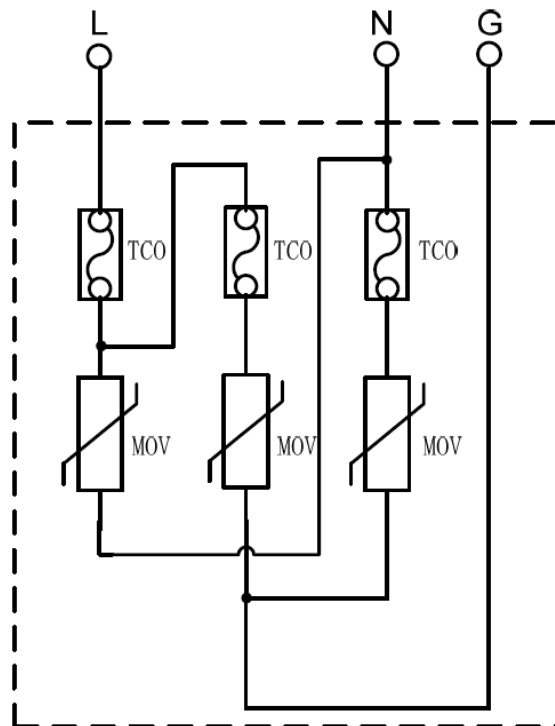
(1) The BRU-20KS10KT is a optional bracket which used to fix the surge protector to the housing and it can be ordered separately.

Rated Voltage	-	347 Vac	-	
Max. Continuous Operating Voltage (MCOV)	-	-	420 Vac	
Input Frequency	47 Hz	-	63 Hz	
Nominal Discharge Current In(8/20 s)	-	-	10 kA	
Number of Surges	15 kA	1	-	-
	10 kA	15	-	-
	3 kA	100	-	-
	1 kA	500	-	-

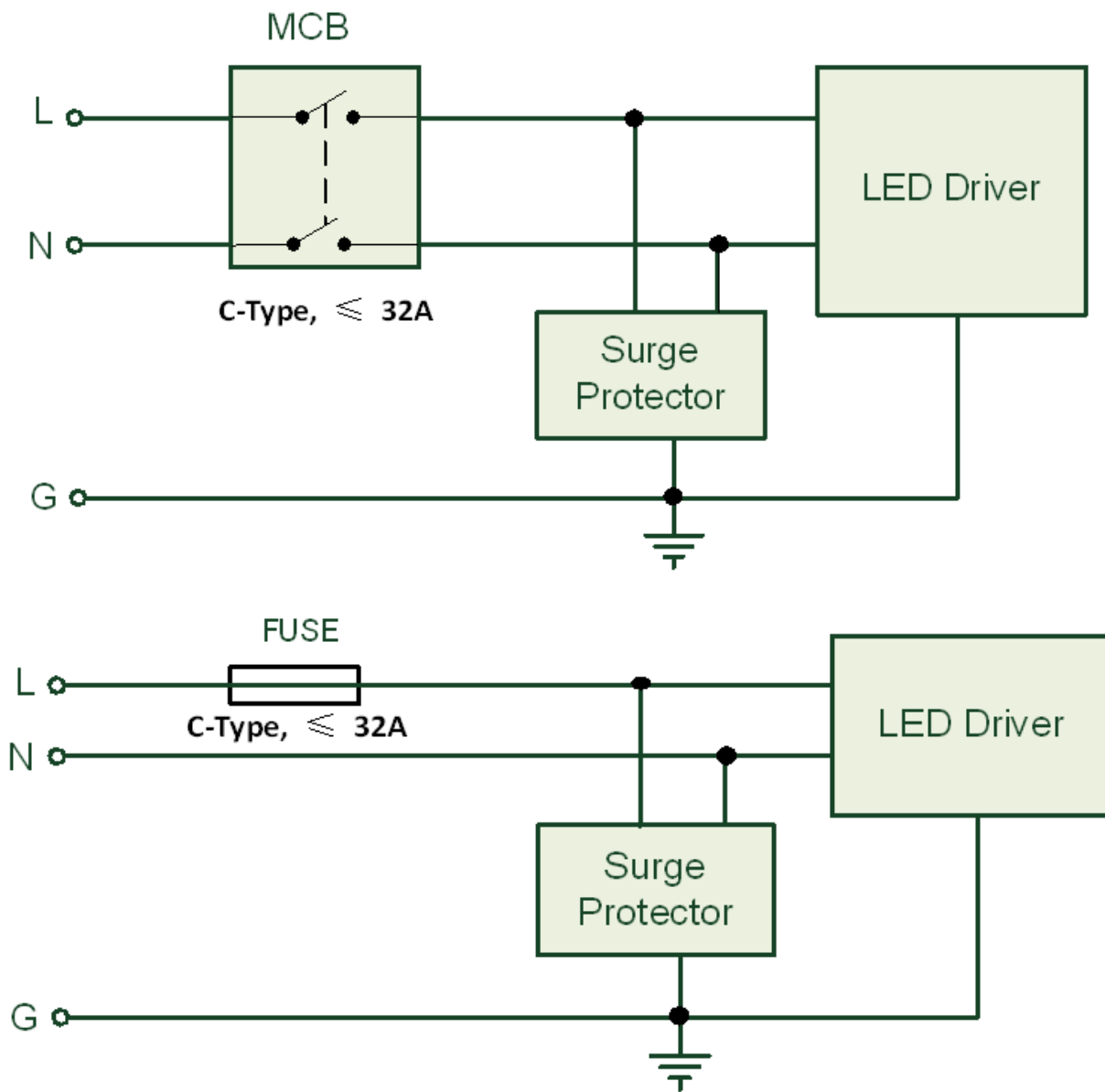
Operating Temperature	-40°C	-	+85°C	
Storage Temperature and humidity(≤24 hours)	-40°C	-	+85°C	Humidity: ≤ 75%RH
Recommended Storage Temperature and Humidity	-10°C	-	+40°C	Humidity: ≤ 75%RH

UL	UL 1449 : Transient Voltage Surge Suppressors
IEEE C62.41	Guide on the Surge Environment in Low-Voltage (1000 V and Less) AC Power Circuits

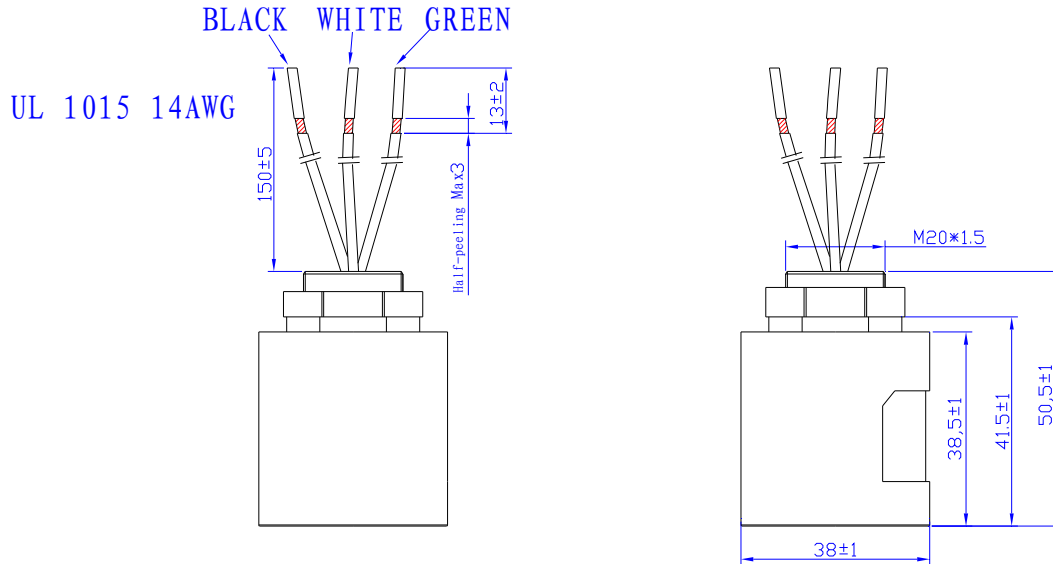
PY-20KS10KTTN



PY-20KS10KTTN

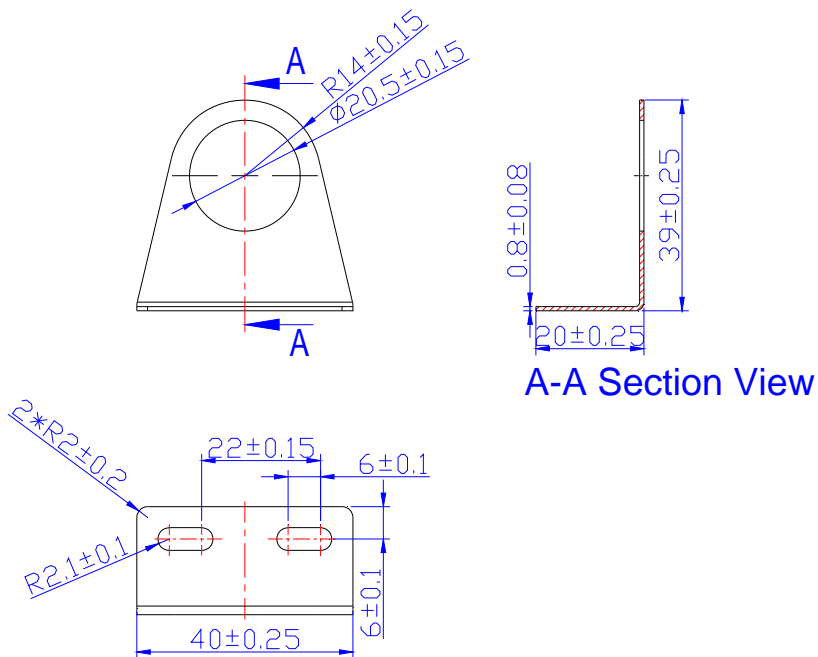


PY-20KS10KTTN



Optional Bracket:

BRU-20KS10KT



This device is used to fix the surge protector to the housing and it can be ordered separately.

2015-04-24	A	Datasheet Release	/	/